

HF161F

MINIATURE HIGH POWER RELAY



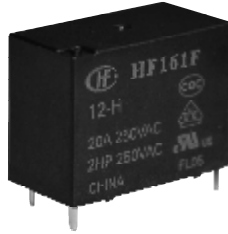
File No.: E134517



File No.: 40031410



File No.:CQC10002050943、CQC18002203499



Features

- 4.5kV dielectric strength (between coil and contacts)
- Heavy load up to 6250VA
- Ideal for motor switching
- PCB layouts available
- UL insulation system: Class F
- Environmental friendly product (RoHS compliant)
- Outline Dimensions: 30.4mm x 15.9mm x 23.3mm

CONTACT DATA

Contact arrangement	1A
Contact resistance ¹⁾	100mΩ max.(at 1A 6VDC)
Contact material	AgSnO ₂ , AgCdO
Contact rating	Resistive: 20A 250VAC Motor: 2HP 250VAC
Max. switching voltage	250VAC
Max. switching current	Resistive: 25A
Max. switching power	6250VA
Mechanical endurance	2 x 10 ⁶ OPS
Electrical endurance	HT type: 1 x 10 ⁵ OPS (20A 250VAC, Resistive load, Room temp., 1.5s on 1.5s off)

Notes: 1)The data shown above are initial values.

CHARACTERISTICS

Insulation resistance	1000MΩ (at 500VDC)	
Dielectric strength	Between coil & contacts	4500VAC 1min
	Between open contacts	1000VAC 1min
Surge voltage (between coil & contacts)	10kV (1.2 / 50μs)	
Operate time (at nomi. volt.)	20ms max.	
Release time (at nomi. volt.)	10ms max.	
Temperature rise (at nomi. volt.)	60K max.	
Shock resistance	Functional	196m/s ²
	Destructive	980m/s ²
Vibration resistance	10Hz to 55Hz 1.5mm DA	
Ambient temperature	-40°C to 85°C	
Humidity	5% to 85% RH	
Termination	PCB	
Unit weight	Approx. 21g	
Construction	Flux proofed	

Notes: The data shown above are initial values.

COIL

Coil power	Approx. 900mW
------------	---------------

COIL DATA

at 23°C

Nominal Voltage VDC	Pick-up Voltage VDC max. ¹⁾	Drop-out Voltage VDC min. ¹⁾	Max. Voltage VDC* ²⁾	Coil Resistance Ω
5	3.5	0.5	6.0	27.8 x (1±10%)
12	8.4	1.2	14.4	160 x (1±10%)
24	16.8	2.4	28.8	640 x (1±10%)
48	33.6	4.8	57.6	2560 x (1±10%)

Notes: 1)The data shown above are initial values.

2)*Maximum voltage refers to the maximum voltage which relay coil could endure in a short period of time.

SAFETY APPROVAL RATINGS

UL/CUL	25A 250VAC at 85°C
	20A 250VAC at 85°C
	2HP 250VAC at 85°C
VDE	25A 250VAC at 85°C
	20A 250VAC at 85°C

Notes: 1) All values unspecified are at room temperature.

2) Only typical loads are listed above. Other load specifications can be available upon request.



HONGFA RELAY

ISO9001, ISO/TS16949, ISO14001, OHSAS18001, IECQ QC 080000 CERTIFIED

2018 Rev. 1.00

ORDERING INFORMATION

Type	HF161F /	12	-H	T	(XXX)
Coil voltage	5, 12, 24, 48VDC				
Contact arrangement	H: 1 Form A				
Contact material	T: AgSnO ₂	Nil: AgCdO			
Special code ³⁾	XXX: Customer special requirement			Nil: Standard	

Notes: 1) Water cleaning or surface process is not suggested after the flux-proofed relays are assembled on PCB.

2) Flux-proofed relays can not be used in the environment with pollutants like H₂S, SO₂, NO₂, dust, etc.

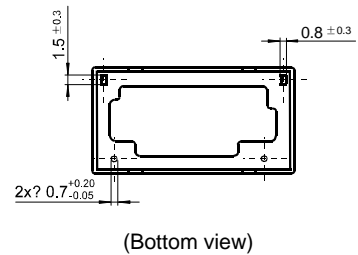
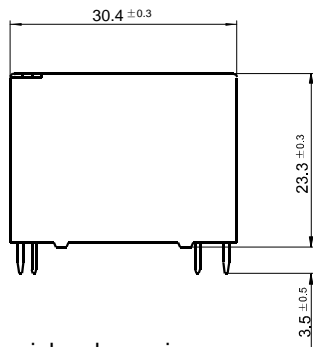
3) The customer special requirement express as special code after evaluating by Hongfa. e.g. (414) stands for product with coil terminal of 1.4X0.4.

OUTLINE DIMENSIONS, WIRING DIAGRAM AND PC BOARD LAYOUT

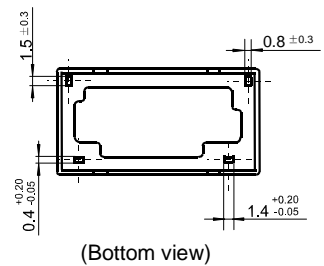
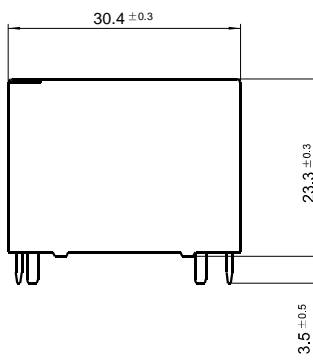
Unit: mm

Outline Dimensions

Standard type

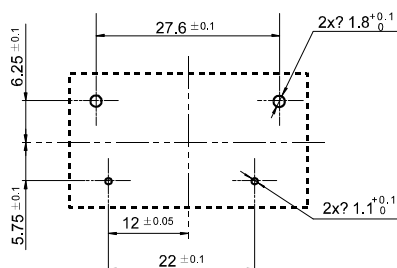


(414) special code version

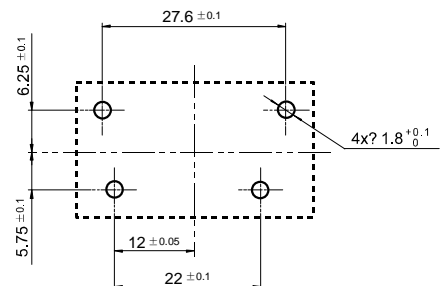


PCB Layout (Bottom view)

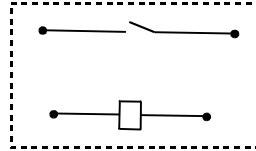
Standard type



(414) special code version



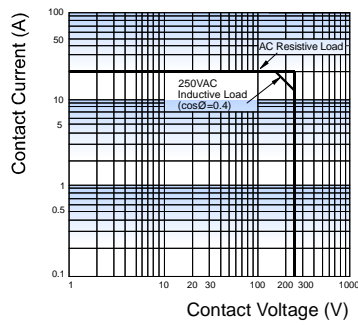
Wiring Diagram



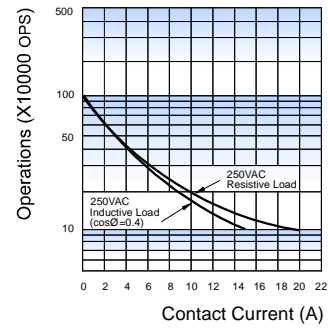
Remark: 1) In case of no tolerance shown in outline dimension: outline dimension $\leq 1\text{mm}$, tolerance should be $\pm 0.2\text{mm}$; outline dimension $> 1\text{mm}$ and $\leq 5\text{mm}$, tolerance should be $\pm 0.3\text{mm}$; outline dimension $> 5\text{mm}$, tolerance should be $\pm 0.4\text{mm}$.
 2) The tolerance without indicating for PCB layout is always $\pm 0.1\text{mm}$.

CHARACTERISTIC CURVES

MAXIMUM SWITCHING POWER



ENDURANCE CURVE



Test conditions:

Room temp., 1s on 9s off.

Disclaimer

The specification is for reference only. See to "Terminology and Guidelines" for more information. Specifications subject to change without notice. We could not evaluate all the performance and all the parameters for every possible application. Thus the user should be in a right position to choose the suitable product for their own application. If there is any query, please contact Hongfa for the technical service. However, it is the user's responsibility to determine which product should be used only.

© Xiamen Hongfa Electroacoustic Co., Ltd. All rights of Hongfa are reserved.